



RIGGING ADVISORY CIRCULAR

Issue Date: 01 May 1994

RAC No. 822 Rev. A

SUBJECT: JAVELIN RESERVE STATIC LINE

STATUS: ADVISORY

IDENTIFICATION: Sun Path Products, Inc. Javelin pack and harness assembly.

BACKGROUND: Sun Path Products has provided instructions for retrofitting a reserve static line (RSL) to the Javelin.

SUN PATH PRODUCTS POLICY: A reserve static line may be retrofitted to the Javelin pack and harness assembly in accordance with the following specifications by a FAA Master Rigger or foreign equivalent.

APF POLICY: Where a RSL is to be installed on a Sun Path Product's Javelin it shall be installed in accordance with the manufacturer's instructions by an APF Rigger.

EFFECTIVE DATE: 17 January 1994.

AUTHORITY: Derek Thomas, President
Sun Path Products, Inc
5037 Gall Blvd.
Zephyrhills Florida 33541 USA
Ph 0011-1-813-7782-9242
Fax 0015-1-813-788-3057

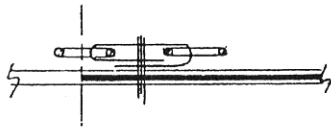
DISTRIBUTION: All APF Riggers



RIGGING ADVISORY CIRCULAR

Issue Date: 01 May 1994

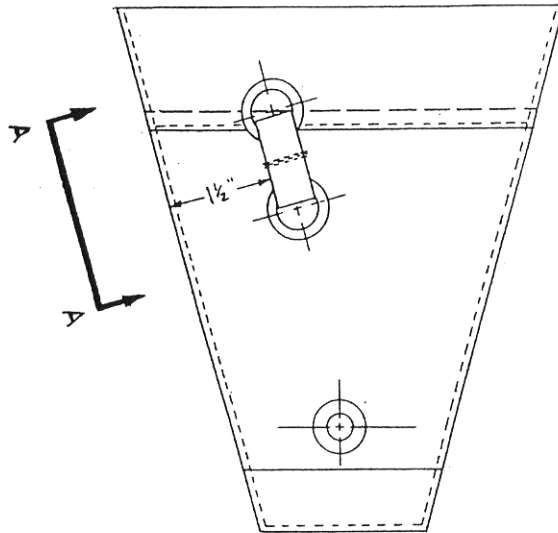
RAC No. 822 Rev. A



SECTION "A-A"

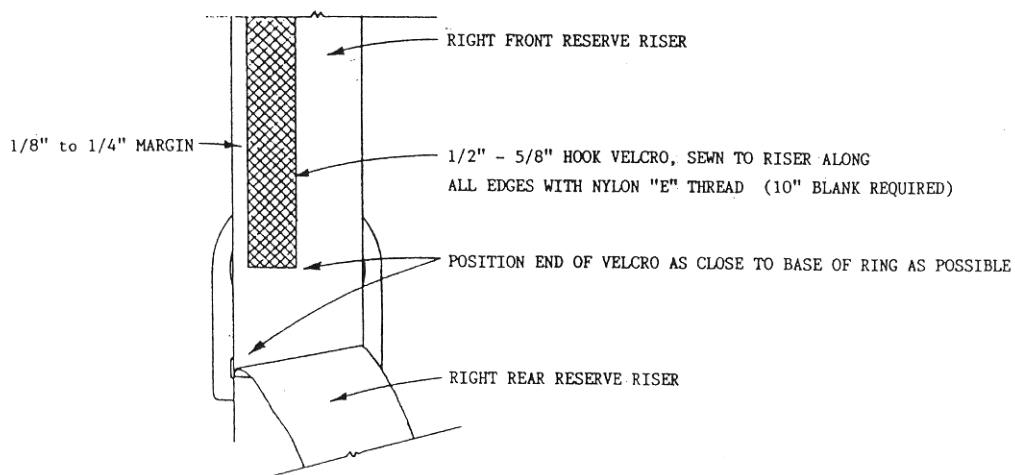
NOTE: UPPER RING IS CENTERED ON
EDGE OF PLASTIC STIFFENER.
TAPE IS PARALLEL TO SIDE OF
TOP FLAP.

TAPE IS MIL-T-5038, TYPE IV, 5/8"
WIDTH (COMMONLY CALLED "SQUARE-
WEAVE TAPE")



INSTALLATION OF GUIDE RINGS ON RESERVE TOP FLAP

(USE SEVEN PASSES OF STRAIGHT STITCHING, BACK AND
FORTH, WITH NYLON "E" THREAD, 9 STITCHES PER INCH.)



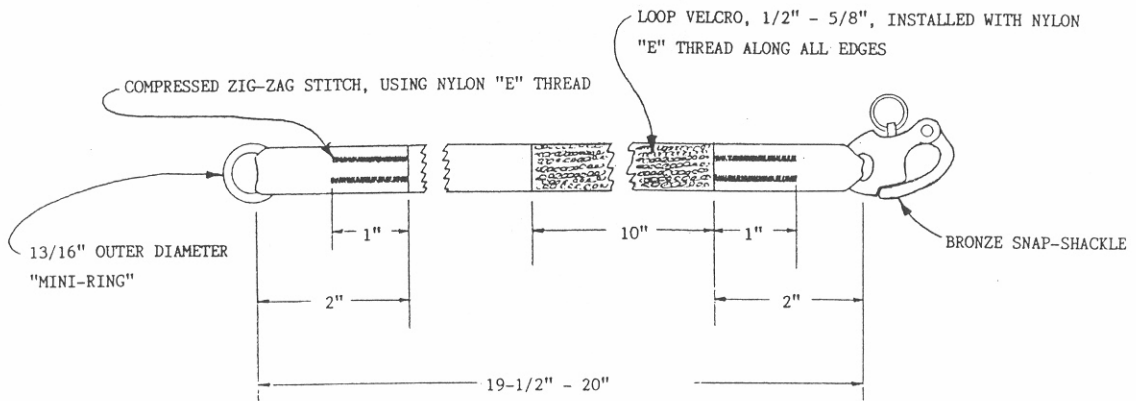
RIGHT FRONT RESERVE RISER CONFIGURATION FOR JAVELIN RSL RETROFIT



RIGGING ADVISORY CIRCULAR

Issue Date: 01 May 1994

RAC No. 822 Rev . A



RESERVE STATIC LINE LANYARD REQUIRES A 24" BLANK OF MIL-T-5038, TYPE IV, 5/8" WIDTH.

JAVELIN RESERVE STATIC LINE LANYARD

